

Monitoring Station

ISSUE/DATE:	August 18, 2011	BULLETIN NUMBER:	AQ081811
SUBJECT:	Monitoring Station	PRODUCT LINE:	Aquafine UV Equipment
TOPIC:	WIRING UPDATE TO EQUIPMENT WITH THE 41114-1 MONITORING STATION		

OVERVIEW / DESCRIPTION

Aquafine Corporation has implemented a revised wiring change to eliminate the possible failure of the Monitoring Station.

DETAILS

Our tests have shown that under certain operating parameters, electrical “spikes” from the closure of the main contactor can cause the monitoring station to malfunction. Board failures include:

- loss of operation of the Monitoring station,
- blank screen or loss in calibration of the temperature and UV intensity.

The design change includes the installation of a “snubber” across the coil of the main contractor. The snubber is Aquafine part number 41817 and used to reduce the high voltage spike that can result in damage to the electronics.



Snubber Part number 41817

REVISION CHANGE

Equipment purchased with the Monitoring Station after 8/26/2010 should have the snubber pre-installed at Aquafine. Previous equipment with the Monitoring station should install the snubber in the field.

WARRANTY

Standard 12 Month Aquafine Warranty applies.

ASSISTANCE

If you require technical assistance or have any comments or suggestions on the content/format of this bulletin, please contact your Authorized Distributor or Customer Care Representative at Aquafine.

800-423-3015
661-257-2489

Telephone
FAX

www.aquafineuv.com

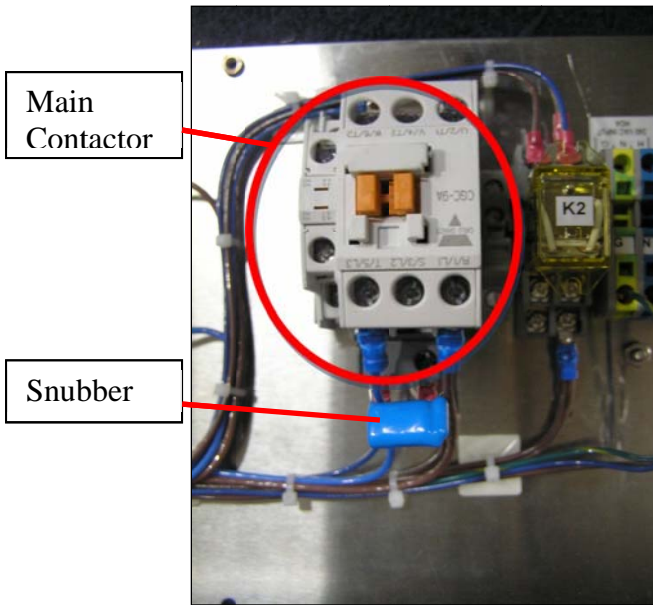
Retrofitting Monitoring Station Equipment with Snubber

The installation of the snubber will be placed in parallel with the coil of the Main contractor (control relay). Aquafine utilizes many types of main contactors. Please note that there may be other contactor (remote contactor, alarm contactors, etc.) inside the electrical panel. The snubber must be connected to the main contactor which operates the UV lamps.

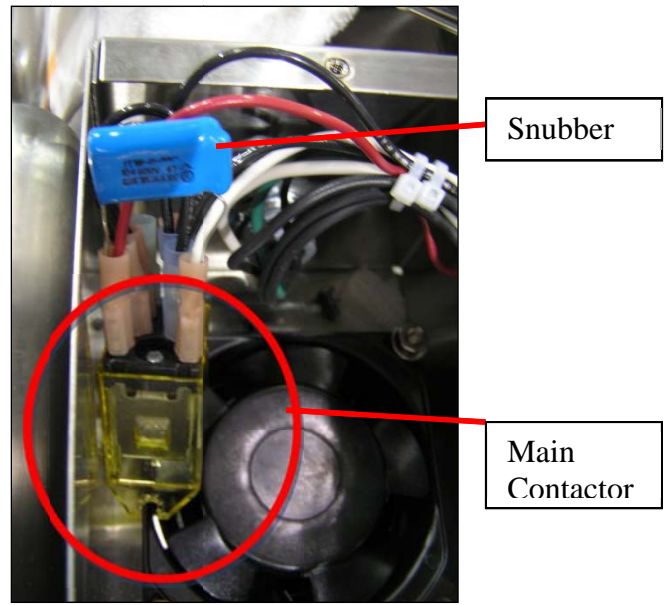
Follow the steps to install snubber

1. Shut off system, removing all electrical power to prevent personal injury.
2. Locate the main contractor and coil positions. One position of the main contact coil is directly wired to the Monitoring station High Temperature output relay position NO (normally open). The other position of the coil will be wired directly to AC Neutral.
3. Connecting the snubber to the coil contacts of the main contractor.
 - a. The snubber is installed in parallel with the coil contact
 - b. Connection points of snubber will depend upon the contactor type.

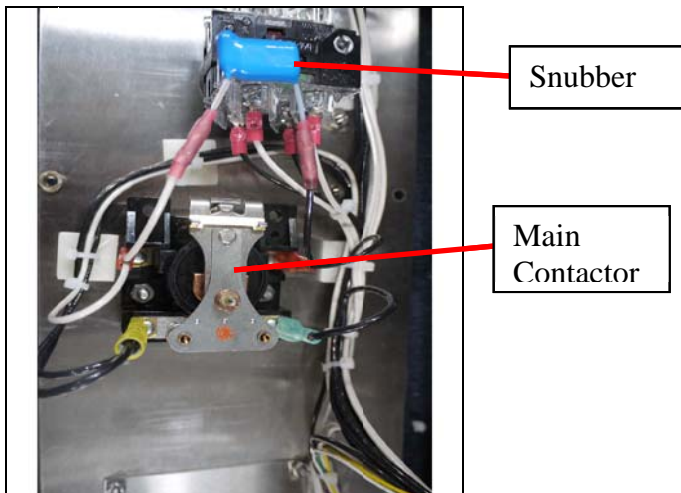
Typical Contactor type	Manufacture	Typical Coil positions
3 or 4 pole	Lovato or other	A1 and A2
2 pole	Idec	13 and 14
1 pole	Potter & Brumfield	1 and 2



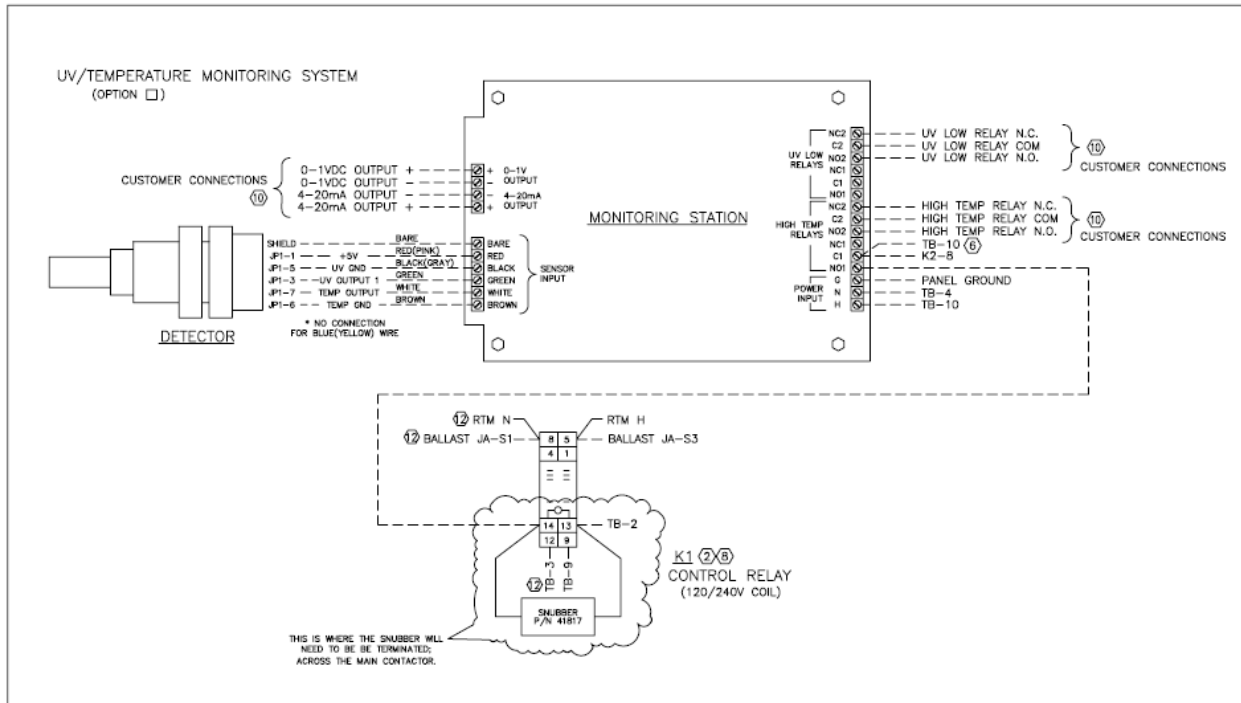
**3 or 4 pole Main contactor
 Snubber Connected to positions A1 and A2**



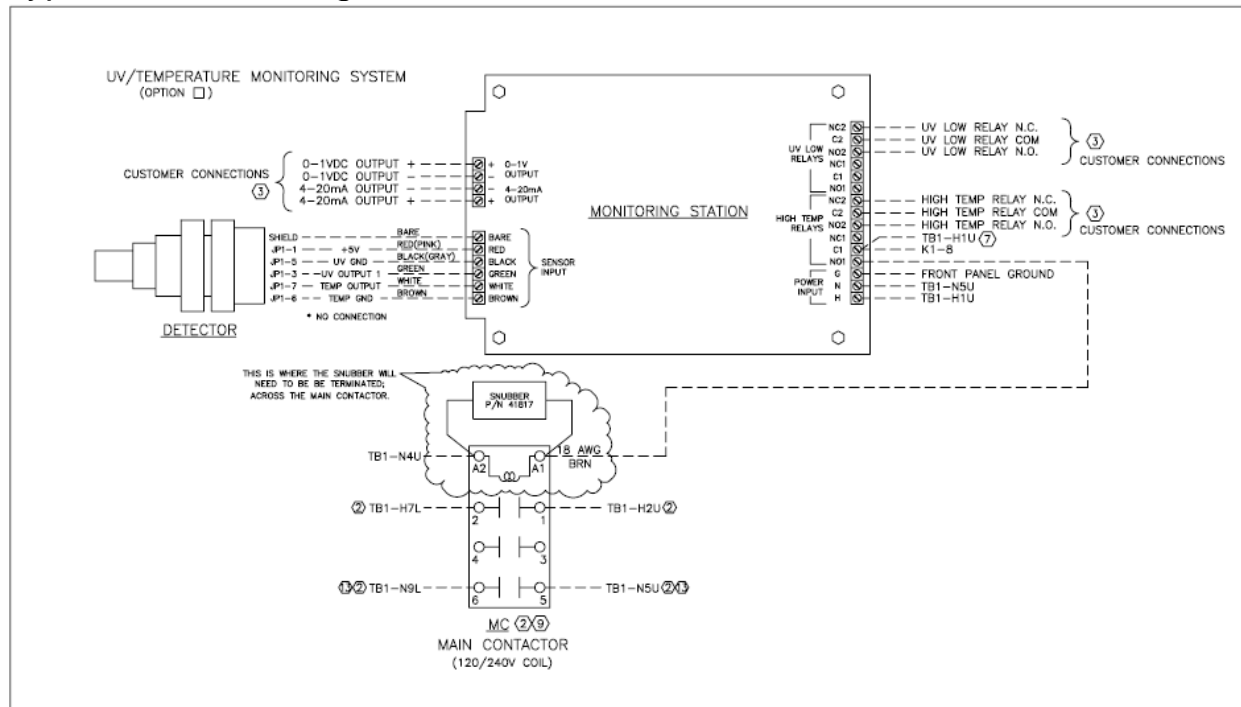
**2 pole Main contactor
 Snubber Connected to positions 13 and 14**



**Single pole type Main contactor
 Snubber connected to positions 1 and 2**



Typical 2 Pole Wiring



Typical 3 or 4 Pole Wiring